

(1) Type Examination Certificate

(2) No. of the Type Examination Certificate: **ZP/B199/16 R1** replaces ZP/B199/16

(3) Product: **Safety roof hook type B**
Type: **DHE galvanized**
DH galvanized
DH plus galvanized
DHE
DH
DH Plus

(4) Manufacturer: **Tiga Tech GmbH**

(5) Address: **Derndorferberg 2, 4501 Neuhofen/Krems, Austria**

(6) The design of this product and any acceptable variation thereto are specified in the schedule to this Type Examination Certificate.

(7) The certification body of DEKRA EXAM GmbH certifies that this product complies with the fundamental requirements of the standard listed under item 8 below. The examination and test results are set out in the report PB 16-288 Rev1.

(8) The requirements of the standard are assured by compliance with

DIN EN 517:2006 Type B

(9) This Type Examination Certificate relates only to the design, examination and tests of the specified product in accordance to the standard list. Further requirements of the Directive apply to the manufacturing process and supply of this personal protective equipment. These are not covered by this certificate.

(10) This Type Test Certificate is valid until 2021-12-15.

DEKRA EXAM GmbH
Bochum, 2017-06-06

signed: Wiegand
Certification body

signed: Mühlenbruch
Special services unit

We confirm the correctness of the translation from the German original.
In the case of arbitration only the German wording shall be valid and binding.



Managing director

TRANSLATION

(11) Appendix to

(12) **Type Examination Certificate
ZP/B199/16 R1**

(13) 13.1 Subject and Type

Safety roof hook type B

Type: DHE galvanized, DH galvanized, DH plus galvanized, DHE, DH, DH Plus

13.2 Description

The safety roof hooks, type: DHE galvanized, DH galvanized, DH Plus galvanized, are used to hook roof ladder and as a single anchor point to protect a person against falls from a height.

The safety roof hooks, made of galvanized steel, have an edged metal sheet ($t = 3\text{mm}$). Mounting is carried out on suitable roof constructions or on pitched roofs with suitable fastening elements. The boreholes are used to connect the fastening elements. At the anchor point, the users can attach their own personal protective equipment to protect themselves from falling.

The safety roof hooks are intended for bearing loads exerted from any direction (type B).

Safety roof hooks can optionally be coated with a powder coating in different colours.

The summary of further details regarding the safety roof hooks is provided below.

Details regarding the safety roof hook, **type: DHE galvanized**

- Protecting a maximum of one person at the same time
- Safety roof hook material thickness: $t = 3\text{ mm}$
- Safety roof hook length: $l = 690\text{ mm}$
- Safety roof hook made of galvanized steel

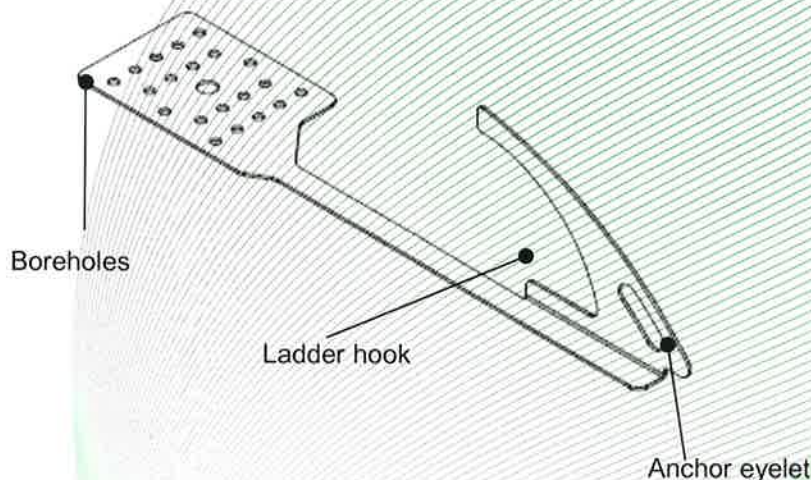


Figure 1: Safety roof hook, type: DHE galvanized

TRANSLATION

Details regarding the safety roof hook, **type: DH galvanized:**

- Protecting a maximum of one person at the same time
- Safety roof hook material thickness: $t = 3 \text{ mm}$
- Safety roof hook length: $l = 590 \text{ mm}$
- Safety roof hook made of galvanized steel

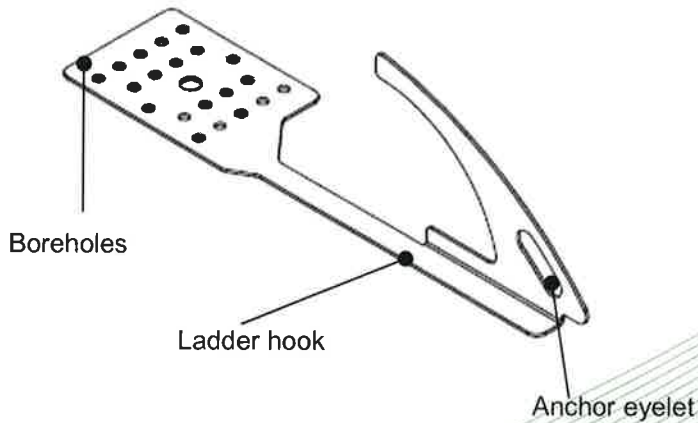


Figure 2: Safety roof hook, type: DH galvanized

Details regarding the safety roof hook, **type: DH Plus galvanized:**

- Protecting a maximum of one person at the same time
- Safety roof hook material thickness: $t = 3 \text{ mm}$
- Safety roof hook length: $l = 480 \text{ mm}$
- Safety roof hook made of galvanized steel

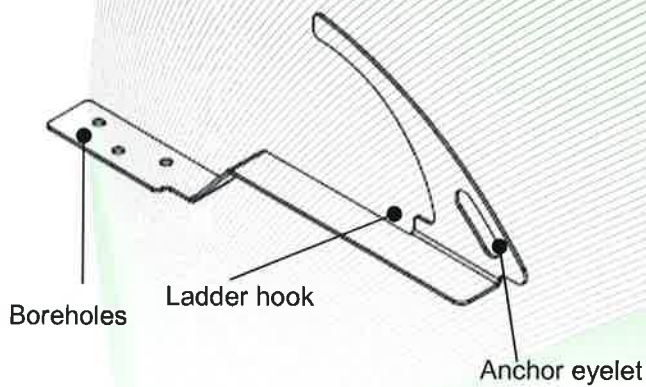


Figure 3: Safety roof hook, type: DH Plus galvanized

TRANSLATION

The safety roof hooks, type: DHE, DH, DH Plus, are used to hook roof ladder and as a single anchor point to protect a person against falls from a height.

The safety roof hooks, made of corrosion-resistant steel, have an edged metal sheet ($t = 3 \text{ mm}$). Mounting is carried out on suitable roof constructions or on pitched roofs with suitable fastening elements. The boreholes are used to connect the fastening elements. At the anchor point, the users can attach their own personal protective equipment to protect themselves from falling.

The safety roof hooks are intended for bearing loads exerted from any direction (type B).

The summary of further details regarding the safety roof hooks is provided below.

Details regarding the safety roof hook, **type: DHE:**

- Protecting a maximum of one person at the same time
- Safety roof hook material thickness: $t = 3 \text{ mm}$
- Safety roof hook length: $l = 690 \text{ mm}$
- Safety roof hook made of corrosion-resistant steel

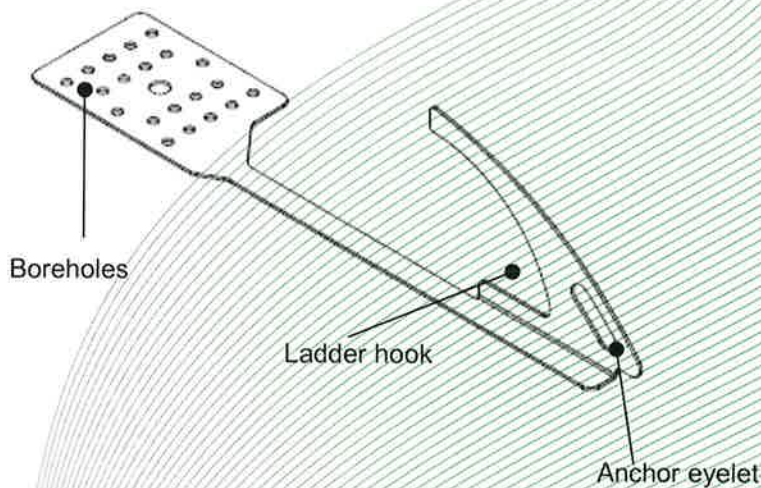


Figure 4: Safety roof hook, type: DHE

TRANSLATION

Details regarding the safety roof hook, **type: DH**

- Protecting a maximum of one person at the same time
- Safety roof hook material thickness: $t = 3 \text{ mm}$
- Safety roof hook length: $l = 590 \text{ mm}$
- Safety roof hook made of corrosion-resistant steel

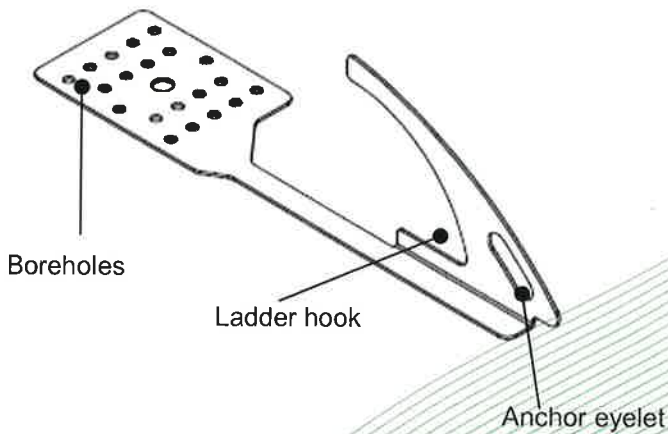


Figure 5: Safety roof hook, type: DH

Details regarding the safety roof hook, **type: DH Plus:**

- Protecting a maximum of one person at the same time
- Safety roof hook material thickness: $t = 3 \text{ mm}$
- Safety roof hook length: $l = 480 \text{ mm}$
- Safety roof hook made of corrosion-resistant steel

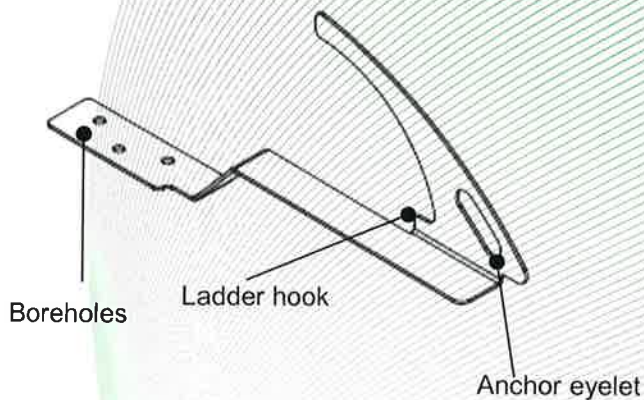


Figure 6: Safety roof hook, type: DH Plus

(14) Report

PB 16-288 Rev. 1 dd. 2017-06-06